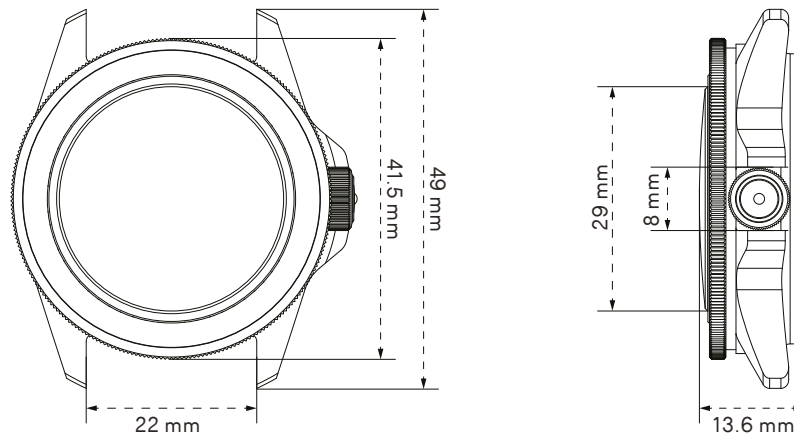


MODELLO UNO
Ref. U1-EC

Limited edition of 100 pieces
Made in Italy
2 years warranty

UNIMATIC®



PRODUCT NAME	Modello Uno U1-EC
TYPE	UNIMATIC x SOUTH PARK
WATER RESISTANCE	300m = 1000ft = 30atm WR
ORIGIN	Made in Italy
TESTING	Singularly tested for accuracy and water resistance
EDITION	Individually numbered, edition of 100
CASE SIZE	Diameter 40mm, 41.5mm including the bezel
LUGS / STRAP SIZE	22mm
CASE MATERIAL	316 stainless steel
CASE FINISHING	Brushed finish
BEZEL	120 clicks mono-directional safety bezel
BEZEL INSERT	Matte black aluminium insert with raised lume dot
CASEBACK	UNIMATIC x SOUTH PARK screw-down caseback
CROWN	Alchemical Sun ☉ 8mm screw-down
LENS DESCRIPTION	2.5mm thick double domed sapphire
LENS TREATMENT	Inner side anti-reflective coating
DIAL BASE COLOR	Matte white dial with multicolor printing of Eric Cartman
LUMINOUS COLOR	Super-LumiNova® C9
DIAL FEATURES	Glossy black open second rail and glossy white dial trims
HANDS	Matte black ladder phantom H+M, reverse lollipop S, turquoise tip
CALIBER TYPE	Automatic calibre Seiko NH35A
CALIBER FREQUENCY	21600 bph
CALIBER FEATURE	Hacking seconds hand
CALIBER WINDING	Self-winding/ manual winding
CALIBER JEWELS	24
ACCURACY	-20/+40 s/day
POWER RESERVE	41h
ANTIMAGNETISM	Antimagnetic ≥ 4800 A/m
STRAP BASE	Turquoise nubuck leather two-piece strap, stainless steel brushed hardware signed Unimatic
EXTRA STRAP	Black heavy-duty Unimatic nylon nato strap, stainless steel brushed hardware signed Unimatic
PRODUCT KIT	Unimatic tough case, warranty card with unique ID seal