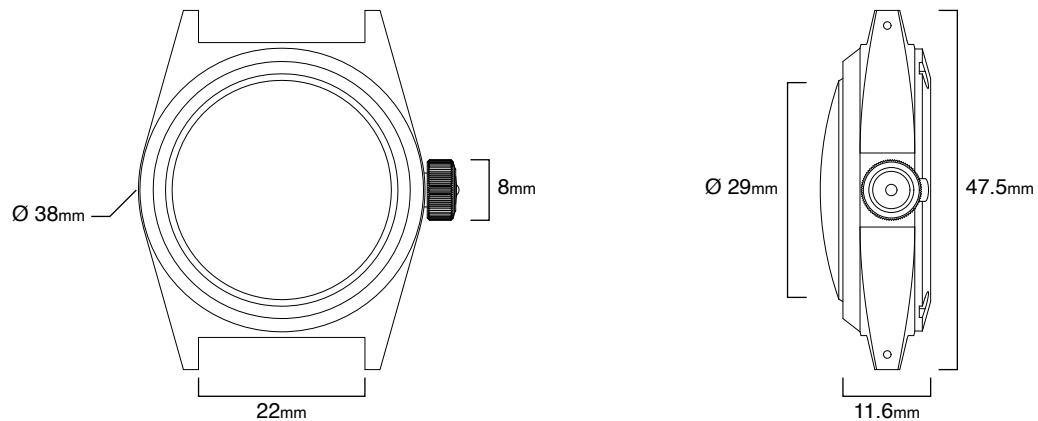


**MODELLO DUE**  
Ref. U2S-8B

*Limited edition of 400 pieces*  
*Swiss movement*  
*Made in Italy*  
*2 years warranty*

**UNIMATIC®**



PRODUCT NAME	Modello Due U2S-8B
TYPE	Slim Field watch
WATER RESISTANCE	300m = 1000ft = 30atm WR
ORIGIN	Made in Italy
TESTING	Singularly tested for accuracy and water resistance
EDITION	Individually numbered, edition of 400
CASE SIZE	38 mm
LUGS / STRAP SIZE	Drilled lugs / 22mm
CASE MATERIAL	316 stainless steel
CASE FINISHING	Brushed finish
CASEBACK	Unimatic Angular Mil screw-down caseback
CROWN	Alchemical Sun ☉ 8mm screw-down
LENS DESCRIPTION	2.7 mm thick ultra double domed sapphire
LENS TREATMENT	Inner side anti-reflective coating
DIAL BASE COLOR	Matte black dial
LUMINOUS COLOR	Super-LumiNova® GL light old radium
DIAL FEATURES	Gold metallic closed second rail and dial trims
HANDS	Gold metallic brushed ladder phantom H+M, reverse lollipop S, Super-LumiNova® tip
CALIBER TYPE	Automatic calibre Sellita SW200-1 b
CALIBER FREQUENCY	28800bph
CALIBER FEATURE	Hacking seconds hand
CALIBER WINDING	Self-winding/ manual winding
CALIBER JEWELS	26
ACCURACY	+/- 7 sec/day up to +/-20 sec/day
POWER RESERVE	Min 38h, typical 41h
STRAP BASE	Black TPU two-piece strap, stainless steel brushed hardware signed UNIMATIC
EXTRA STRAP	Black two-piece seatbelt strap, stainless steel brushed hardware signed UNIMATIC
PRODUCT KIT	Unimatic tough case, warranty card with unique ID seal