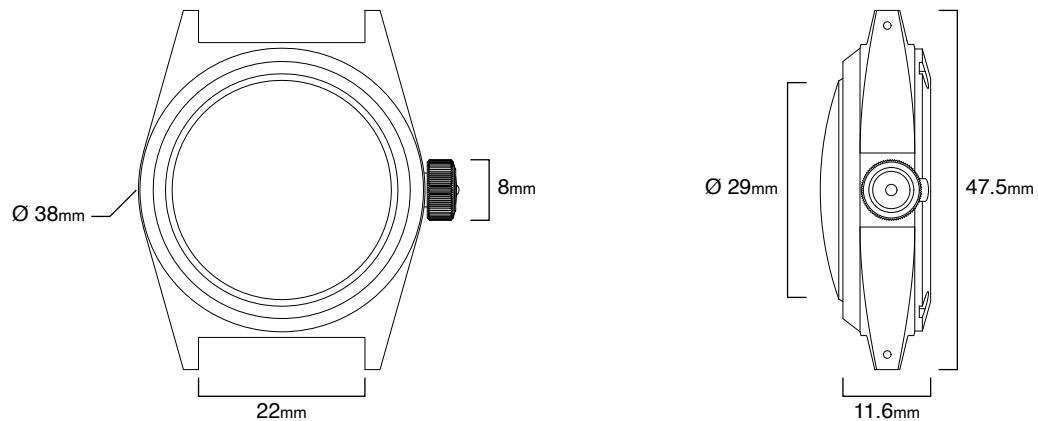


MODELLO DUE
Ref. U2S-8N

Limited edition of 400 pieces
Swiss movement
Made in Italy
2 years warranty

UNIMATIC®



PRODUCT NAME	Modello Due U2S-8N
TYPE	Slim Field watch
WATER RESISTANCE	300m = 1000ft = 30atm WR
ORIGIN	Made in Italy
TESTING	Singularly tested for accuracy and water resistance
EDITION	Individually numbered, edition of 400
CASE SIZE	38 mm
LUGS / STRAP SIZE	Drilled lugs / 22mm
CASE MATERIAL	316 stainless steel
CASE FINISHING	Brushed finish
CASEBACK	Unimatic Angular Mil screw-down caseback
CROWN	Alchemical Sun ☉ 8mm screw-down
LENS DESCRIPTION	2.7 mm thick ultra double domed sapphire
LENS TREATMENT	Inner side anti-reflective coating
DIAL BASE COLOR	Vintage navy dial
LUMINOUS COLOR	Super-LumiNova® GL light old radium
DIAL FEATURES	Gold metallic closed second rail and dial trims
HANDS	Gold metallic brushed ladder phantom H+M, reverse lollipop S, Super-LumiNova® tip
CALIBER TYPE	Automatic calibre Sellita SW200-1 b
CALIBER FREQUENCY	28800bph
CALIBER FEATURE	Hacking seconds hand
CALIBER WINDING	Self-winding/ manual winding
CALIBER JEWELS	26
ACCURACY	+/- 7 sec/day up to +/-20 sec/day
POWER RESERVE	Min 38h, typical 41h
STRAP BASE	Vintage navy TPU two-piece strap, stainless steel brushed hardware signed UNIMATIC
EXTRA STRAP	Vintage navy two-piece seatbelt strap, stainless steel brushed hardware signed UNIMATIC
PRODUCT KIT	Unimatic tough case, warranty card with unique ID seal