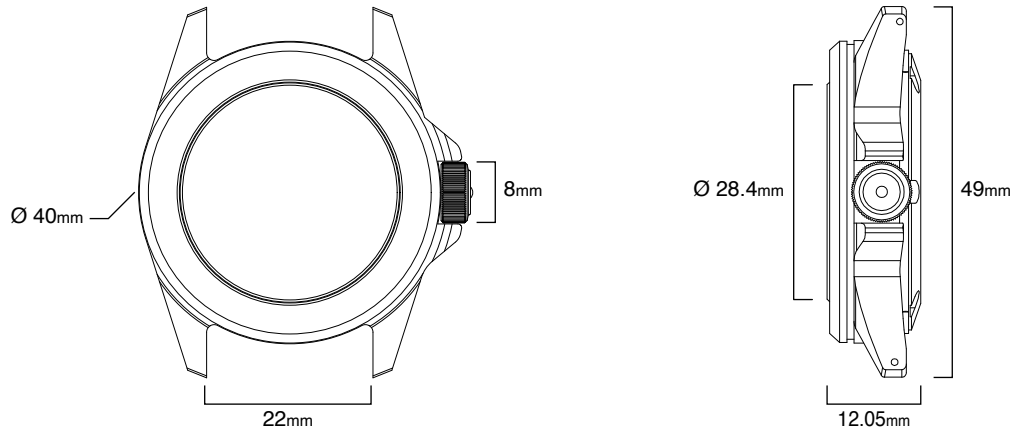


**MODELLO  
QUATTRO**  
Ref. UT4-B

*Limited edition of 300 pieces  
Quartz movement  
Made in Italy  
2 years warranty*

**UNIMATIC®**



REFERENCE	Modello Quattro UT4-B
TYPE	Slim quartz military watch
ORIGIN	Made in Italy
TESTING	Singularly tested for accuracy and water resistance
EDITION	Individually numbered, edition of 300
WATER RESISTANCE	300m = 1000ft = 30atm
SIZE	Diameter 40mm
CASE THICKNESS	12.05mm
LUGS / STRAP SIZE	Drilled lugs / 22mm
CASE MATERIAL	316 stainless steel
CASE FINISHING	Sandblasted
BEZEL	Fixed monoblock bezel
CASEBACK	Cm to inch conversion scale screw-down caseback
CROWN	Alchemical Sun ☉ 8mm screw-down
LENS DESCRIPTION	2.8mm thick flat sapphire
LENS TREATMENT	Inner side anti-reflective coating
DIAL BASE	Matte black with printed Arabic numerals and pale green ring
LUMINOUS	Super-LumiNova® C3 pale green triangle hour markers
DIAL TRIMS	White open second rail and dark gray dial trims
HANDS	Matte black ladder phantom H+M, reverse lollipop S with matte white tip
CALIBER	Quartz Seiko VH31
CALIBER FEATURES	Sweeping second hand
CALIBER JEWELS	2
MOVEMENT HOLDER	360 protection MIL-STD-810H certified
BATTERY TYPE	Seizaiken SR920SW
BATTERY SIZE	Diameter 9.5 mm
ACCURACY	±15 s/month
POWER RESERVE	≈2y
ANTIMAGNETISM	Antimagnetic ≥ 1600 A/m
STRAP	Black nylon keeper two-piece strap
STRAP HARDWARE	Sandblasted hardware signed UNIMATIC
PRODUCT KIT	Unimatic tough case, warranty card with unique ID seal