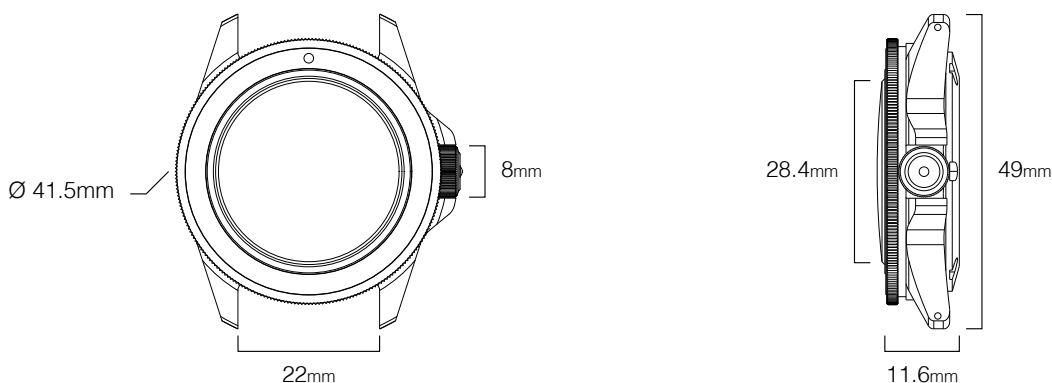


MODELLO UNO
Ref. U1S-T-SE

Made in Italy
2 years warranty
Limited edition of 60 pieces
Swiss movement

UNIMATIC



REFERENCE	Modello Uno U1S-T-SE
TYPE	UNIMATIC x Sease
WATER RESISTANCE	300m≈1000ft≈30atm
ORIGIN	Made in Italy
TESTING	Singularly tested for accuracy and water resistance
EDITION	Individually numbered, edition of 60
CASE SIZE	Diameter 41,5mm
LUGS / STRAP SIZE	0
CASE MATERIAL	Titanium
CASE FINISHING	Titanium
BEZEL	Sand Blasted
BEZEL INSERT	120 clicks mono-directional safety bezel
CASEBACK	Matte Foliage Green aluminium diving insert with Super-LumiNova® C1 markers
CROWN	UNIMATIC x Sease Sailing screw-down caseback
PUSHER	Alchemical Sun ☉ 8mm screw-down
LENS DESCRIPTION	2.5mm thick double domed sapphire
LENS TREATMENT	Inner side anti-reflective coating
DIAL	Matte Foliage Green dial with Sease red dial
LUMINOUS COLOR	Super-LumiNova® C1
DIAL TRIMS	Cool Grey markers, open second rail and dial trims
HANDS	Matte Foliage Green ladder phantom H+M, reverse lollipop S with Super-LumiNova® C1 tip
CALIBER	Automatic calibre Sellita SW200-1 b
CALIBER FREQUENCY	28800bph
CALIBER FEATURES	Hacking second hand
CALIBER WINDING	Self-winding / manual winding
CALIBER JEWELS	26
ACCURACY	-20 / +30s / day
POWER RESERVE	Min 38h, typical 41h / Antimagnetic > 4800 A/m
STRAP	Foliage Green TPU two-piece strap
STRAP EXTRA	Solaro two-piece strap
STRAP HARDWARE	Titanium sand blasted hardware signed UNIMATIC
PRODUCT KIT	UNIMATIC x Sease tough case, warranty card with unique ID seal