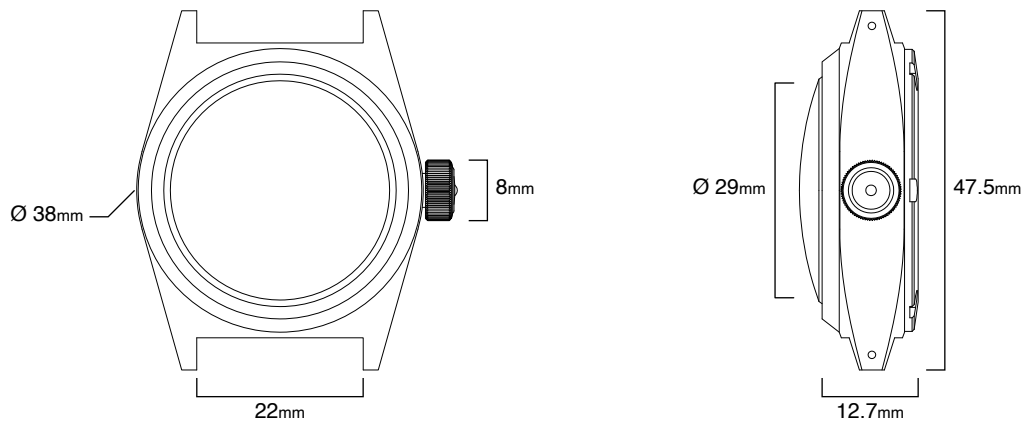


**MODELLO DUE**  
Ref. U2-MMC

*Limited edition of 80 pieces*  
*Made in Italy*  
*2 years warranty*

**UNIMATIC®**



PRODUCT NAME	Modello Due U2-MMC
TYPE	Unimatic x Morgan
WATER RESISTANCE	300M ≈ 1000FT ≈ 30ATM WR
ORIGIN	Made in Italy
TESTING	Singularly tested for accuracy and water resistance
EDITION	Individually numbered, edition of 80
CASE SIZE	38 mm
LUGS / STRAP SIZE	Drilled lugs / 22mm
CASE MATERIAL	316 stainless steel
CASE FINISHING	Brushed finish
BEZEL	Fixed monoblock bezel
CASEBACK	“Seek the road less travelled” Morgan caseback
CROWN	Alchemical Sun ☉ 8mm screw-down
LENS DESCRIPTION	2.7 mm thick ultra double domed sapphire
LENS TREATMENT	Inner side anti-reflective coating
DIAL	Sport blue glossy soleil dial
DIAL TRIMS	Glossy cool gray Morgan inspired closed second rail and dial trims
HANDS	Glossy cool gray ghost ladder phantom H+M, copper finish reverse lollipop S, glossy cool gray tip
CALIBER TYPE FREQUENCY	Automatic caliber Seiko NH35A
CALIBER FREQUENCY	21600bph
CALIBER FEATURE	Hacking seconds hand
CALIBER WINDING	Bi-directional automatic + handwinding
CALIBER JEWELS	26
ACCURACY	-20 ~ +40 s/day
POWER RESERVE	41h
ANTIMAGNETISM	≥ 4800 A/m
STRAP BASE	Morgan upholstery biscuit pebble leather two-piece strap
EXTRA STRAP	Morgan upholstery black pebble leather two-piece strap
HARDWARE	Stainless steel brushed hardware signed UNIMATIC
PRODUCT KIT	Unimatic tough case, warranty card with unique ID seal