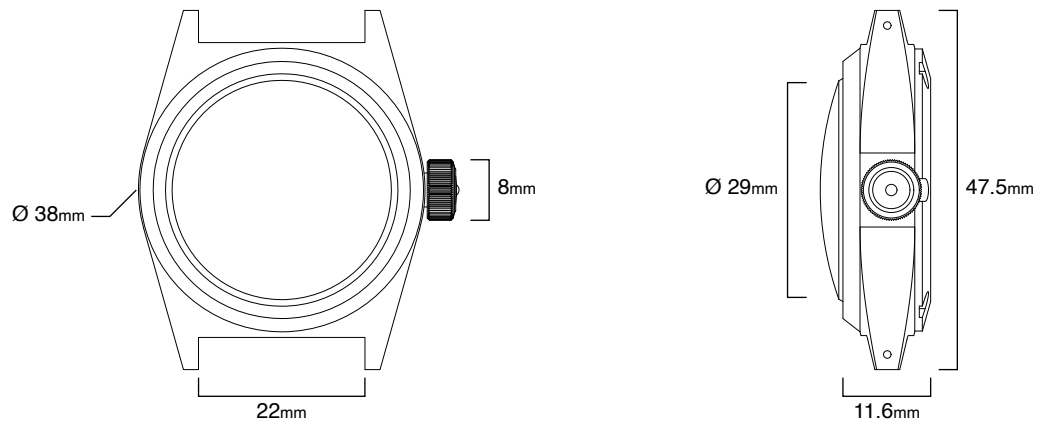


MODELLO DUE
Ref. U2S-T-HS

Limited edition of 100 pieces
Swiss movement
Made in Italy
2 years warranty

UNIMATIC®



PRODUCT NAME	Modello Due U2S-T-HS
TYPE	Slim Titanium field watch
WATER RESISTANCE	300m = 1000ft = 30atm WR
ORIGIN	Made in Italy
TESTING	Singularly tested for accuracy and water resistance
EDITION	Individually numbered, edition of 100
CASE SIZE	38 mm
LUGS / STRAP SIZE	Drilled lugs / 22mm
CASE MATERIAL	Grade II Titanium
CASE FINISHING	Sandblasted
CASEBACK	UNIMATIC x Highsnobiety x Disney Year 1947
CROWN	Alchemical Sun ☉ 8mm screw-down
LENS DESCRIPTION	2.7 mm thick ultra double domed sapphire
LENS TREATMENT	Inner side anti-reflective coating
DIAL BASE COLOR	Silver grené dial, Disney Mickey Mouse 1947
LUMINOUS COLOR	Super-LumiNova®C1 white
DIAL FEATURES	Cool grey open second rail
HANDS	Metallic silver brushed ladder phantom H+M, reverse lollipop S, Super-LumiNova®C1 white tip
CALIBER TYPE	Automatic calibre Sellita SW200-1 b
CALIBER FREQUENCY	28800bph
CALIBER FEATURE	Hacking seconds hand
CALIBER WINDING	Self-winding/ manual winding
CALIBER JEWELS	26
ACCURACY	+/- 7 sec/day up to +/-20 sec/day
POWER RESERVE	Min 38h, typical 41h
STRAP BASE	Black TPU two-piece strap, titanium sandblasted hardware signed UNIMATIC
EXTRA STRAP	Grey two-piece nylon strap, titanium sandblasted hardware signed UNIMATIC
PRODUCT KIT	Highsnobiety x Disney 100 tough case, warranty card with unique ID seal